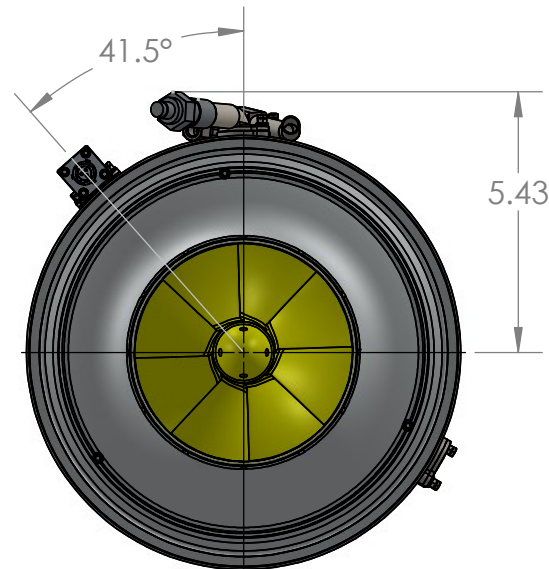
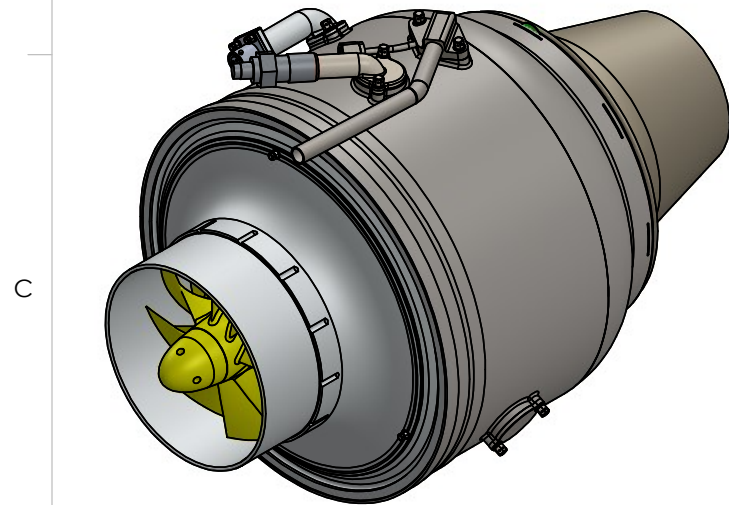


REVISIONS					
ZONE	REV.	DESCRIPTION	DATE	AUTHOR	APPROVED
D6	A	INITIAL RELEASE	11/4/2018	ATW	JJK
3-D3	B	ADDED FRONT ENGINE MOUNT DESCRIPTION	2/19/2019	ATW	JJK
2-A6	C	ADDED REAR MOUNT RECEPTOR DIMS	6/6/2019	ATW	JJK
	D	OUTER HOUSING WITH INSTRUMENTATION BOSSES ADDED	2/7/2020	ATW	JJK

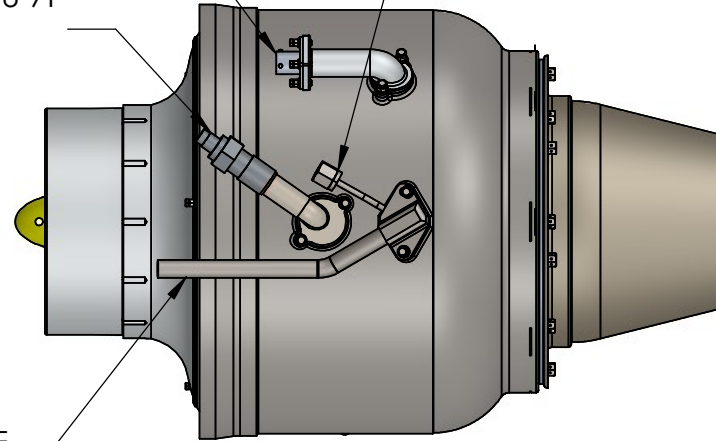


GENERATOR CONNECTOR
AMPHENOL PT02CE8-3S

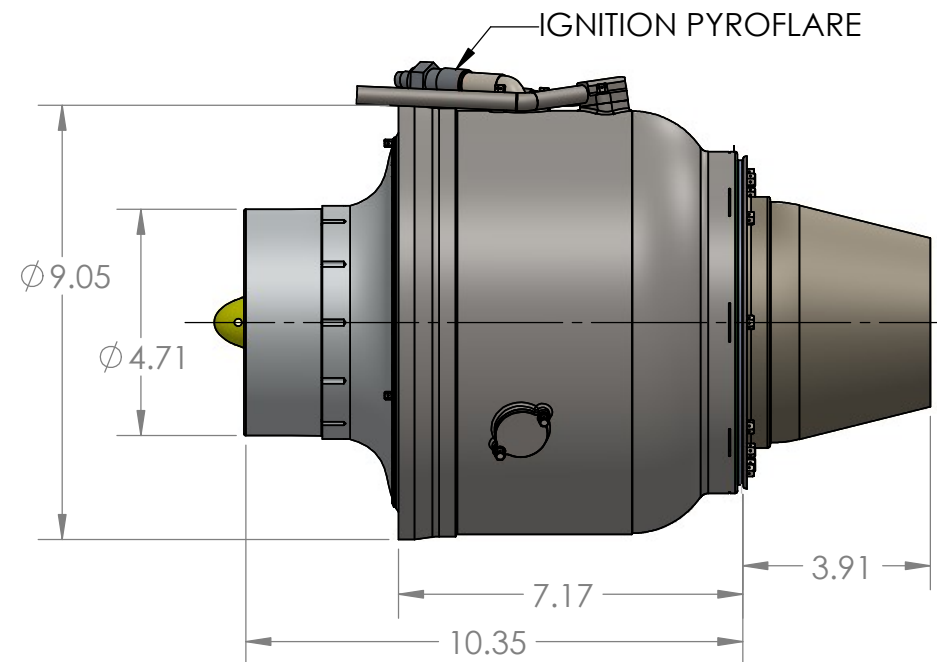
IGNITER PYROFLARE
GLENAIR 800-029HZ1-6-7P
CONNECTOR

COMPRESSION DISCHARGE SUPPLY
1/8" TUBE NUT
SWAGELOK P/N SS-202-1

FUEL SUPPLY
1/4" OD TUBE

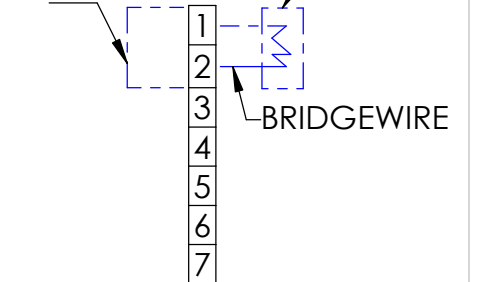


GENERATOR CONNECTOR	
PIN A	PHASE A
PIN B	PHASE B
PIN C	PHASE C



SHUNT FOR SHIPPING
AND STORAGE

PRIME



PYROFLARE CONNECTOR
SCHEMATIC

Engine-Generator Weight (consists of the following):

- Engine-Generator
- Pyroflare fitting and ignition squib
- Exhaust nozzle (standard referee configuration)
- Fuel Pump

*Weight does not include any accessory items not listed

Total Weight: 32 lbm

UNLESS OTHERWISE SPECIFIED:
DIMENSIONS ARE IN INCHES. TOLERANCES:
ANGULAR: MACH ±.25 DEG BEND ±1 DEG
TWO PLACE DECIMAL ±.01
THREE PLACE DECIMAL ±.002
INTERPRET GEOMETRIC
TOLERANCING PER: Y14.5M-1994
MATERIAL:

FINISH:

DO NOT SCALE DRAWING

NAME	DATE
DRAWN BY ATW	11/6/2018
CHECKED BY JJK	11/6/2018

COMMENTS:

TECHNICAL DIRECTIONS INC.

TITLE:
TDI-J85 Turbojet Engine

SIZE	DWG. NO.	REV
B	85000-X-004	D

SCALE: 1:4 WEIGHT: SHEET 1 OF 4