

REVISIONS					
ZONE	REV.	DESCRIPTION	DATE	AUTHOR	APPROVED
F7	A	INITIAL RELEASE	4/20/2020	ATW	JJK

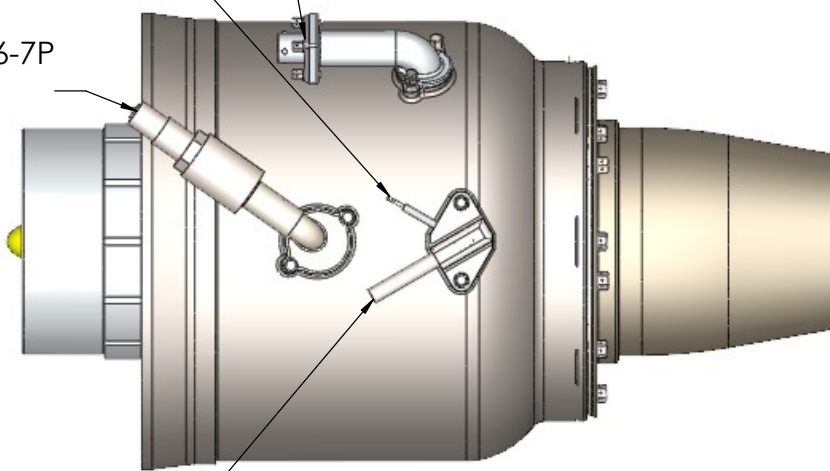
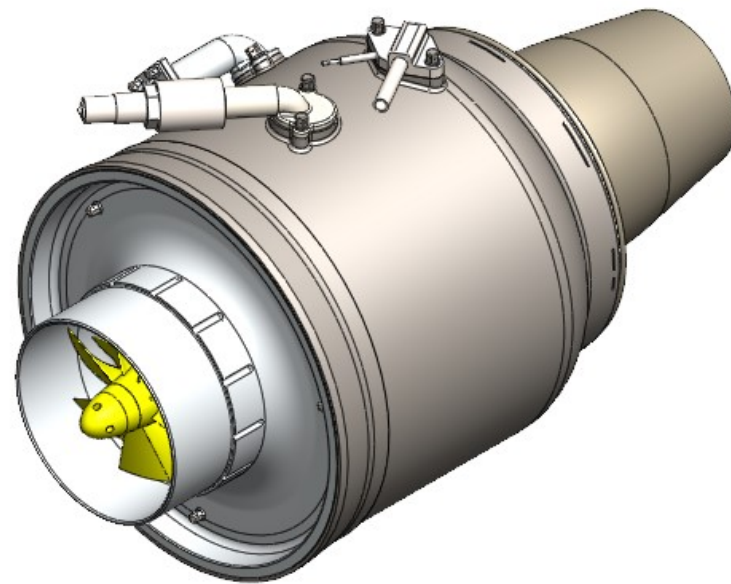
(A)

OPTIONAL COMPRESSOR
DISCHARGE SUPPLY
1/8" OD TUBE

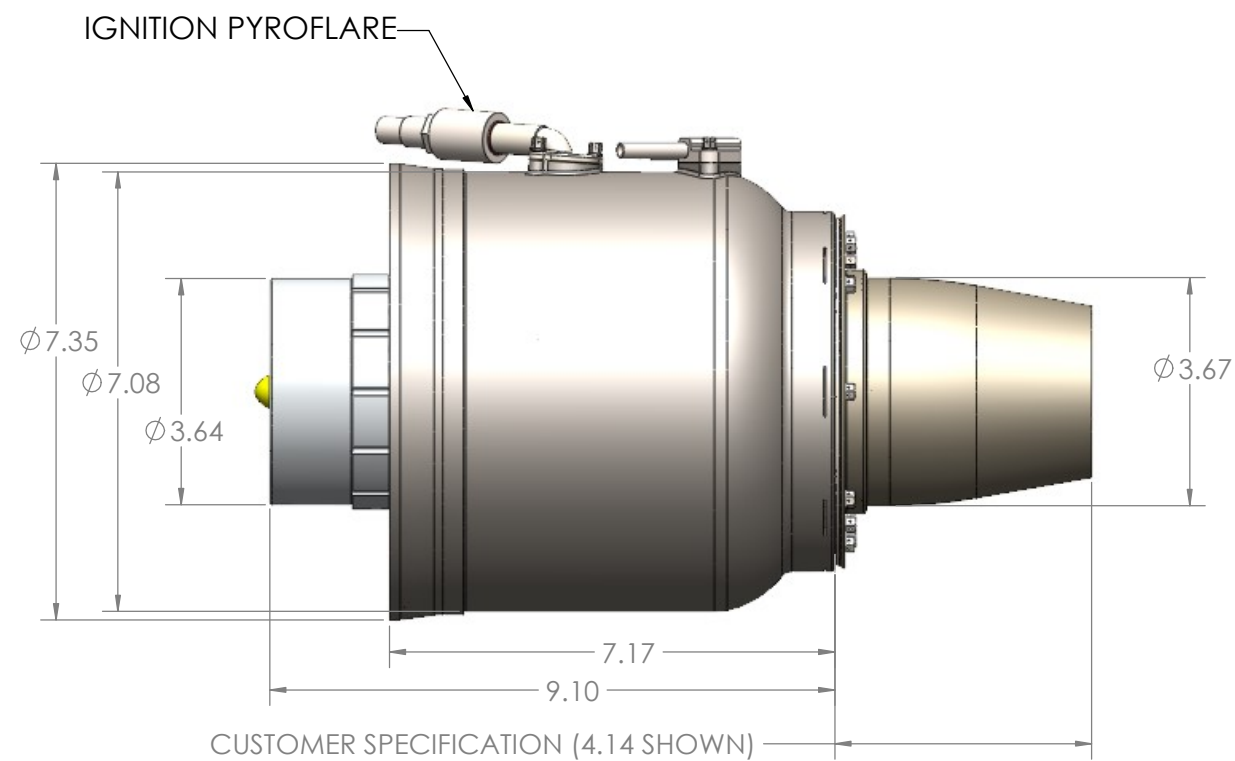
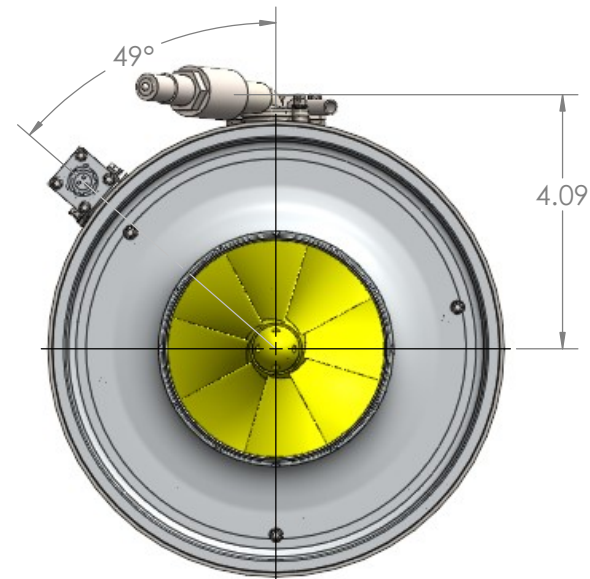
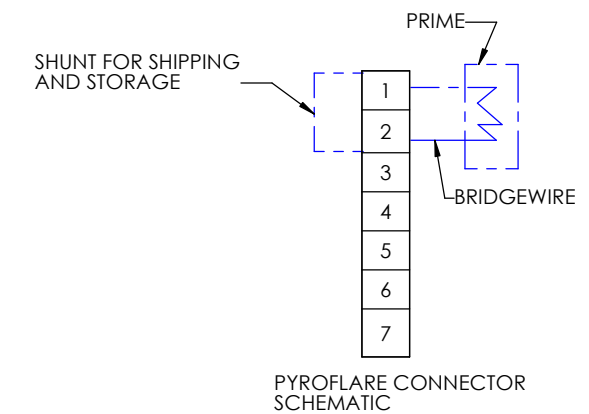
GENERATOR CONNECTOR
AMPHENOL PT02CE8-3S

IGNITER PYROFLARE
GLENAIR 800-029HZ1-6-7P
CONNECTOR

FUEL SUPPLY
1/4" OD TUBE



GENERATOR CONNECTOR	
PIN A	PHASE A
PIN B	PHASE B
PIN C	PHASE C



Engine-Generator Weight (consists of the following):

- Engine-Generator
- Pyroflare fitting and ignition squib
- Exhaust nozzle (standard reference configuration)
- Fuel Pump

*Weight does not include exhaust nozzle or any accessory items not listed

Total Weight: 22 lbm

UNLESS OTHERWISE SPECIFIED: DIMENSIONS ARE IN INCHES. TOLERANCES: ANGULAR: MACH ±.25 DEG BEND ±1 DEG TWO PLACE DECIMAL ±.01 THREE PLACE DECIMAL ±.002 INTERPRET GEOMETRIC TOLERANCING PER: Y14.5M-1994 MATERIAL: FINISH: DO NOT SCALE DRAWING	DRAWN BY ATW 4/20/2020	CHECKED BY JJK 4/20/2020	NAME DATE
---	------------------------------	--------------------------------	--------------

TECHNICAL DIRECTIONS INC.

TITLE: TDI-J7 TURBOJET ENGINE	REV A
SIZE DWG. NO. C7000-X-006	SCALE: 1:2 WEIGHT: SHEET 1 OF 2