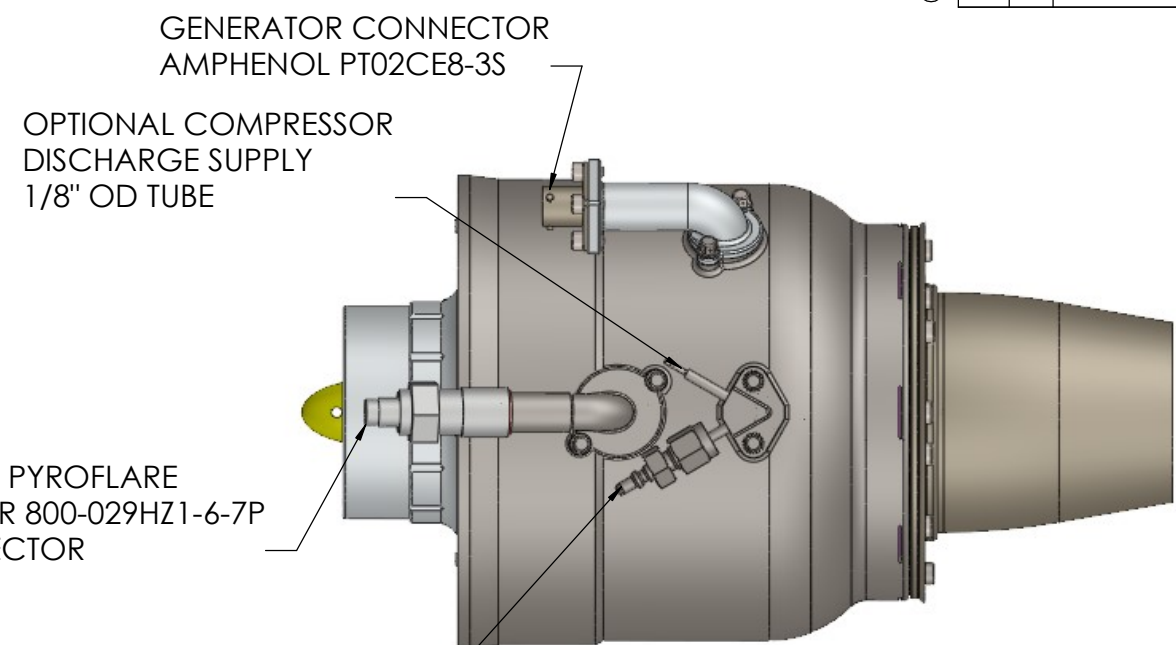
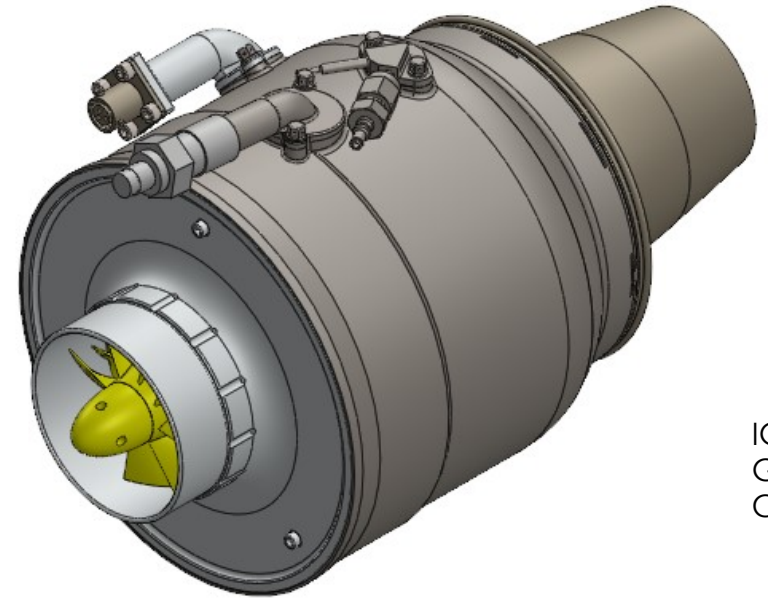


REVISIONS					
ZONE	REV.	DESCRIPTION	DATE	AUTHOR	APPROVED
F3	A	INITIAL RELEASE	4/24/2020	ATW	JJK



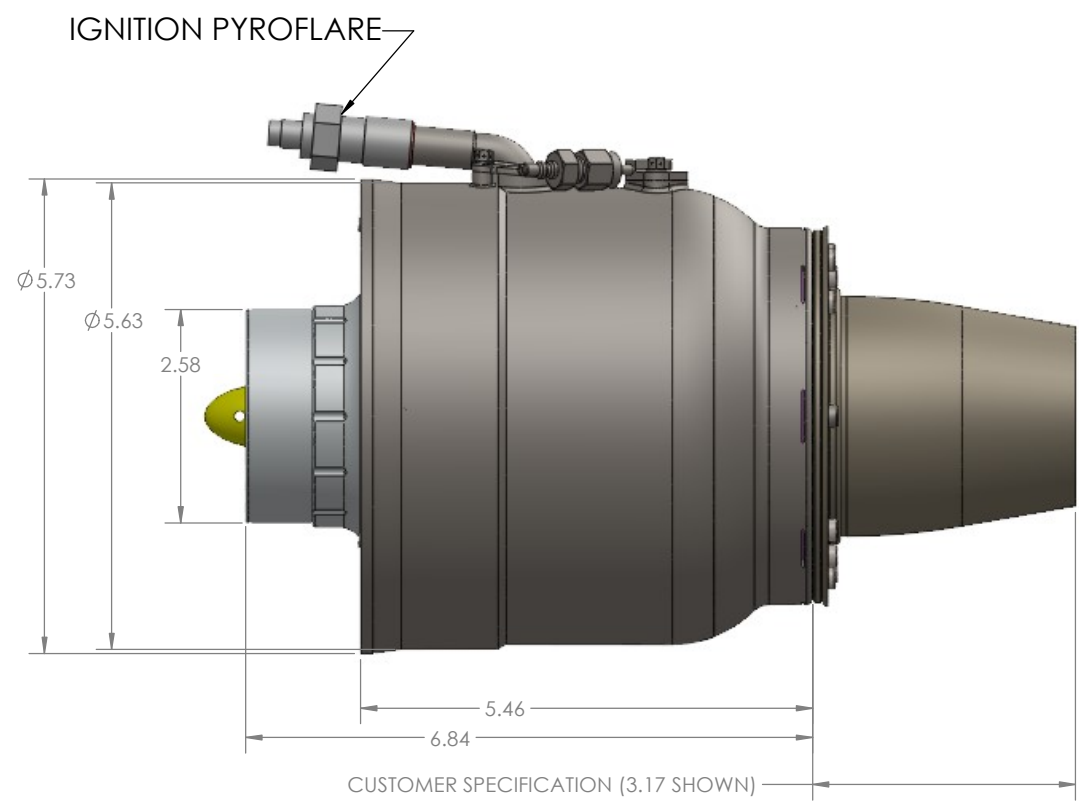
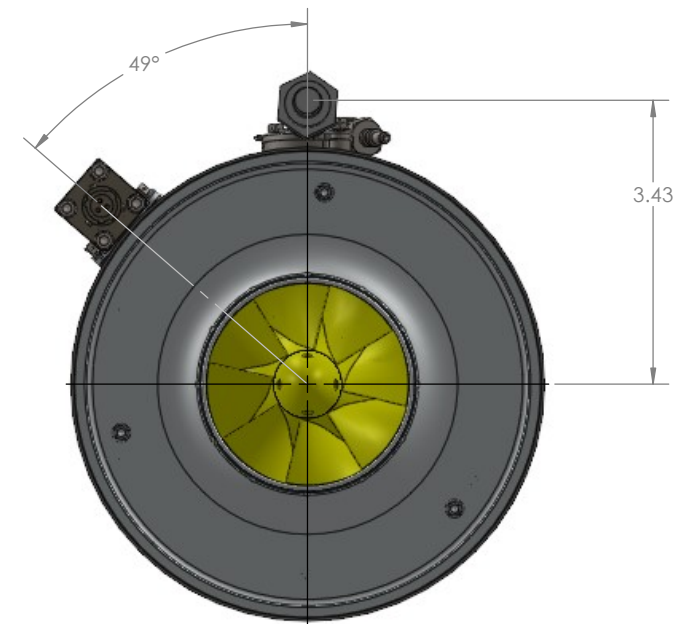
GENERATOR CONNECTOR
AMPHENOL PT02CE8-3S

OPTIONAL COMPRESSOR
DISCHARGE SUPPLY
1/8" OD TUBE

IGNITER PYROFLARE
GLENAIR 800-029HZ1-6-7P
CONNECTOR

FUEL SUPPLY
1/8" OD TUBE

GENERATOR CONNECTOR	
PIN A	PHASE A
PIN B	PHASE B
PIN C	PHASE C



IGNITION PYROFLARE

Ø5.73

Ø5.63

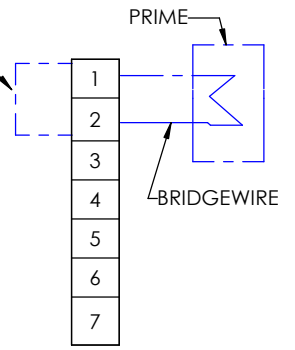
2.58

5.46

6.84

CUSTOMER SPECIFICATION (3.17 SHOWN)

SHUNT FOR SHIPPING
AND STORAGE



PYROFLARE CONNECTOR
SCHEMATIC

Engine-Generator Weight (consists of the following):
 - Engine-Generator
 - Pyroflare fitting and ignition squib
 - Exhaust nozzle (standard referee configuration)
 - Fuel Pump

*Weight does not include exhaust nozzle
or any accessory items not listed

Total Weight: 10 lbm

UNLESS OTHERWISE SPECIFIED:		SURFACE TEXTURE		NAME	DATE
DIMENSIONS ARE IN INCHES. TOLERANCES:		CIRCULAR FEATURES		ATW	4/24/2020
ANGULAR: MACH ±.25 DEG		BREAK SHARP EDGES .005-.020		JJK	4/24/2020
TWO PLACE DECIMAL ±.01		INTERPRET GEOMETRIC TOLERANCING PER: Y14.5M-1994		DRAWN BY	
THREE PLACE DECIMAL ±.002		MATERIAL:		CHECKED BY	
		FINISH:		COMMENTS:	
		DO NOT SCALE DRAWING			

TECHNICAL DIRECTIONS INC.

TITLE:
TDI-J5 TURBOJET ENGINE

SIZE	DWG. NO.	REV
C	5000-X-001	A

SCALE: 2:3 WEIGHT: SHEET 1 OF 2