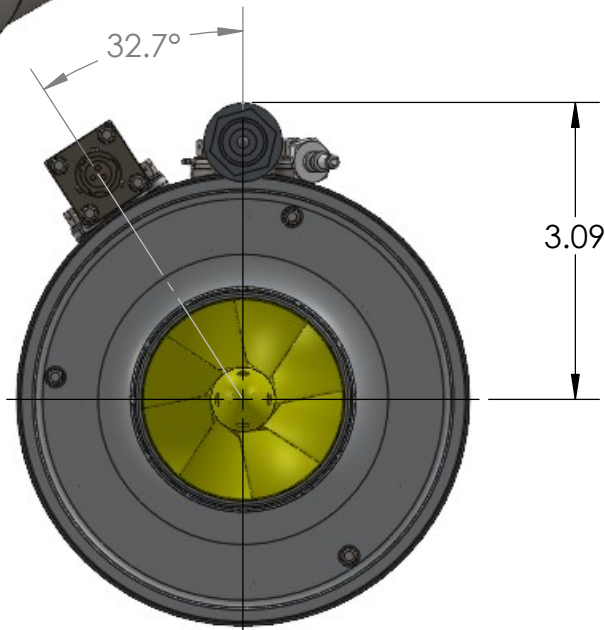
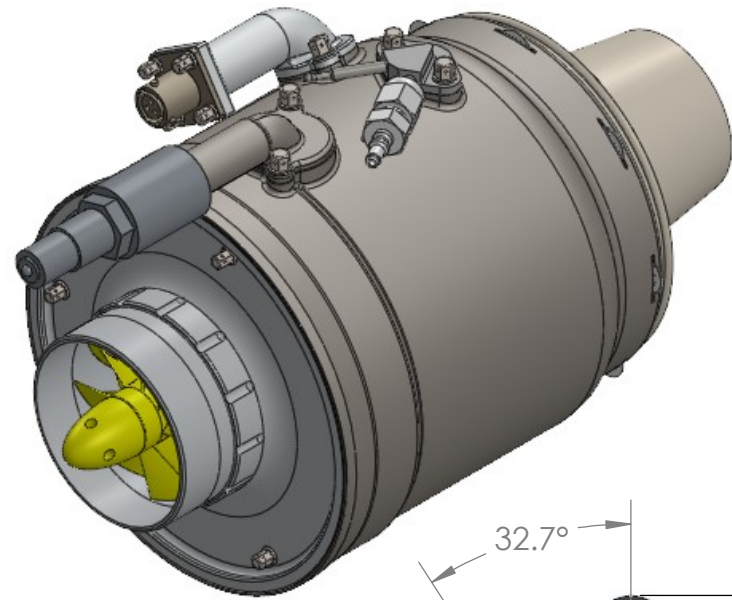


REVISIONS					
ZONE	REV.	DESCRIPTION	DATE	AUTHOR	APPROVED
D5	A	INITIAL RELEASE	3/24/2020	ATW	JJK
A4, B2, 2-C5, 2-D2, 2-D7	B	ADDED ϕ 4.09 DIM; WAS 5.06, IS 5.01; WAS 6.21, IS 6.16; WAS 2.926, IS 2.956; WAS 2.521, IS 2.551; WAS 5.642, IS 5.600;	4/16/2020	ATW	JJK

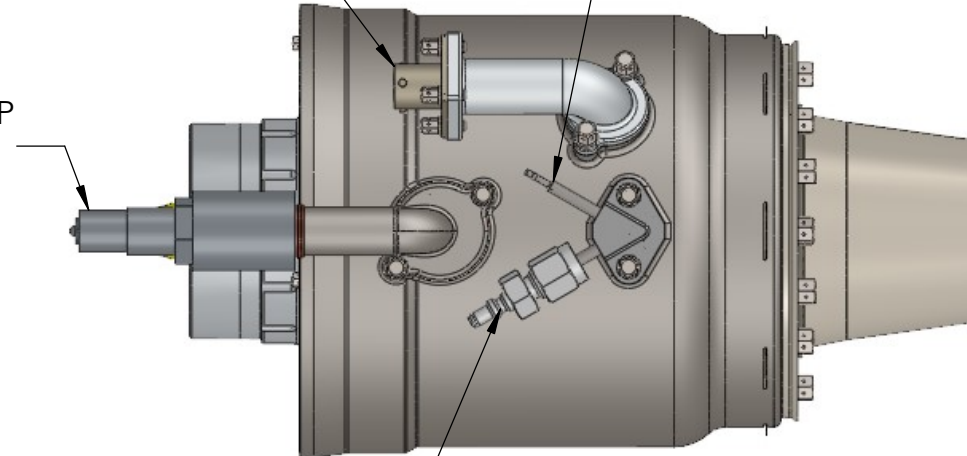


GENERATOR CONNECTOR
AMPHENOL PT02CE8-3S

COMPRESSOR
DISCHARGE
SUPPLY

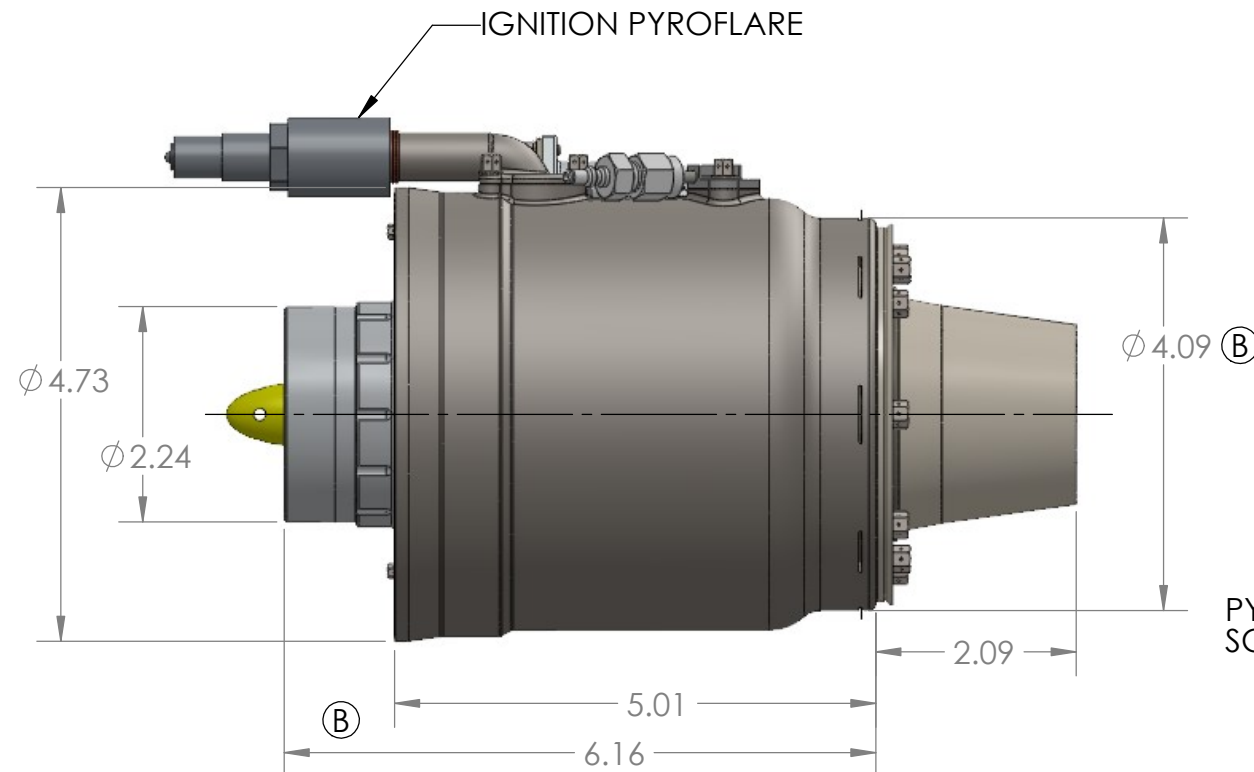
IGNITION PYROFLARE
GLENAIR 800-029HZ1-6-7P
CONNECTOR

FUEL QUICK-DISCONNECT



GENERATOR CONNECTOR	
PIN A	PHASE A
PIN B	PHASE B
PIN C	PHASE C

IGNITION PYROFLARE

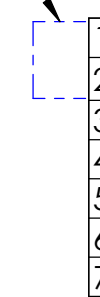


SHUNT FOR SHIPPING
AND STORAGE

PRIME

BRIDGEWIRE

PYROFLARE CONNECTOR
SCHEMATIC



UNLESS OTHERWISE SPECIFIED:

DIMENSIONS ARE IN INCHES. TOLERANCES:
ANGULAR: MACH \pm .25 DEG BEND \pm 1 DEG
TWO PLACE DECIMAL \pm .01
THREE PLACE DECIMAL \pm .002

SURFACE TEXTURE $\sqrt{\text{ }}$
CIRCULAR FEATURES $\sqrt{.005 \text{ A B}}$
BREAK SHARP EDGES .005-.020

INTERPRET GEOMETRIC
TOLERANCING PER: Y14.5M-1994

MATERIAL:

FINISH:

DO NOT SCALE DRAWING

NAME	DATE
DRAWN BY ATW	3/24/2020
CHECKED BY JJK	3/24/2020

COMMENTS:



TITLE:
TDI-J45 Turbojet Engine

SIZE	DWG. NO.	REV
B	45000-X-026	B

SCALE: 1:2 WEIGHT: SHEET 1 OF 3